

Read knowledge base articles and discussions, download software and firmware, view product documents and training videos, and create support cases.

<https://qscprod.force.com/selfhelpportal/s/>

**Customer Support**

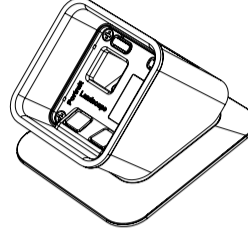
Refer to the Contact Us page on the QSC website for Technical Support and Customer Care, including their phone numbers and hours of operation.

<https://www.qsc.com/contact-us/>

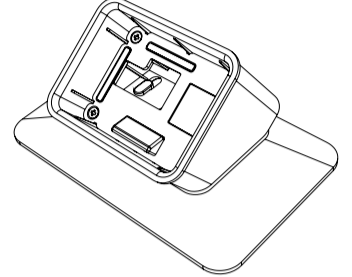
**Tabletop Stand Accessory**

TSC-50t-G3 (for TSC-50-G3)

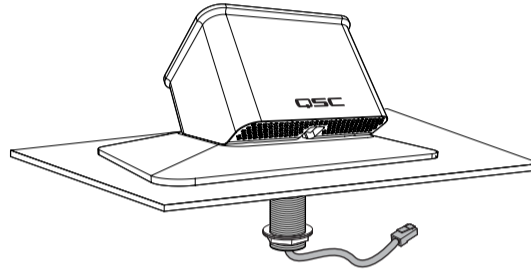
TSC-710t-G3 (for TSC-70-G3 or TSC-101-G3)



TSC-50t-G3



TSC-710t-G3



Fixed Installation



Movable Installation

© 2021 QSC, LLC. All rights reserved. QSC, the QSC logo, Q-SYS, and the Q-SYS logo are registered trademarks of QSC, LLC, in the U.S. Patent and Trademark office and other countries. Q-LAN and Q-SYS Designer are trademarks of QSC, LLC. Patents may apply or be pending.

All other trademarks are the property of their respective owners.

<http://patents.qsc.com>

TD-001620-01-A



**3**

**5** Connect Cable to Touchscreen Controller

**4** Install Base

**2** Remove Base

(Method 1)

(Method 2)

**3** Route Cable

**2**

Rotate CW 90° (Portrait)

Landscapse (Default)

**1** Orient Docking Plate (TSC-50t-G3 Only)

**Specifications**

- Dimensioned drawings and product specifications available online at [www.qsc.com](http://www.qsc.com).
- QSC recommends using a category cable without a moulded strain relief boot. Refer to the Hardware User Manual for other cable requirements.

**Caution:** Do not attempt to assemble or disassemble the stand while the touch screen controller is attached.

**Tabletop Features**

• Tool-less assembly	• Portrait and landscapse configurations	• Non-skid, low profile design
• Movable or fixed installation options		

For a copy of the QSC Limited Warranty, visit the QSC, LLC, website at [www.qsc.com](http://www.qsc.com).

**Warranty**

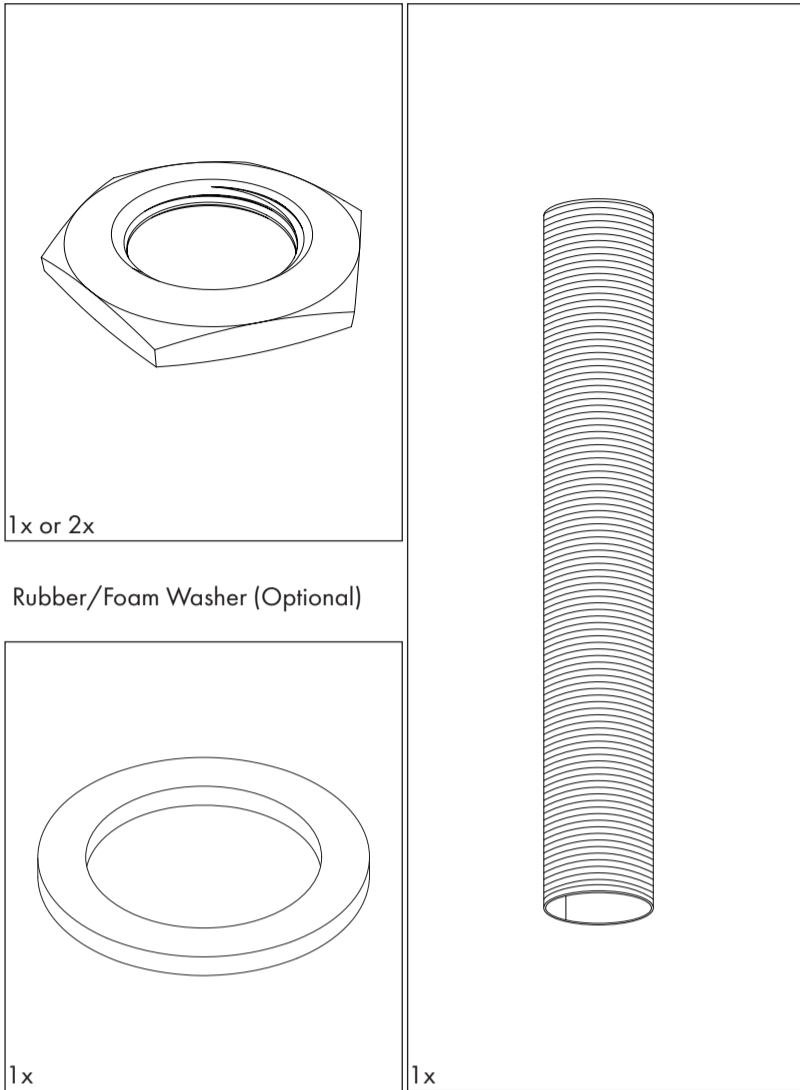
# Fixed Installation TSC-50t-G3 / TSC-710t-G3

## User Supplied Parts

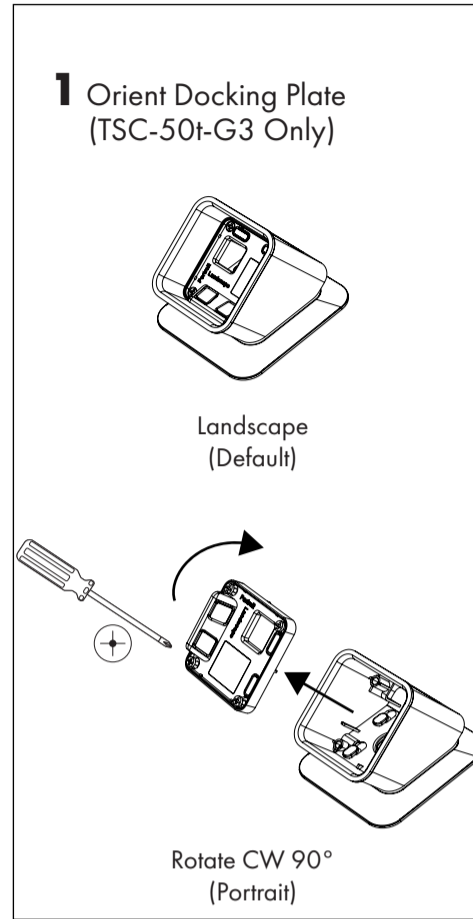
These parts are required only for the fixed installation.

Lock/Jam Nut (or Similar)

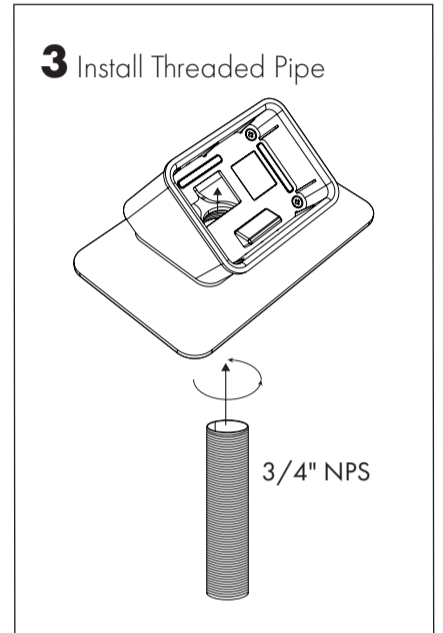
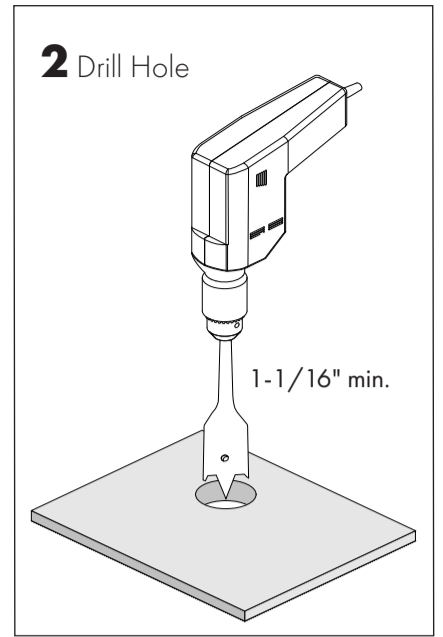
Mounting Pipe (3/4" NPS)



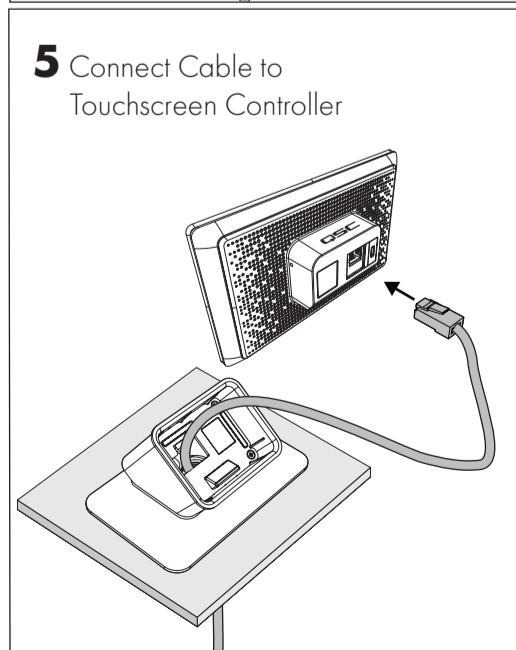
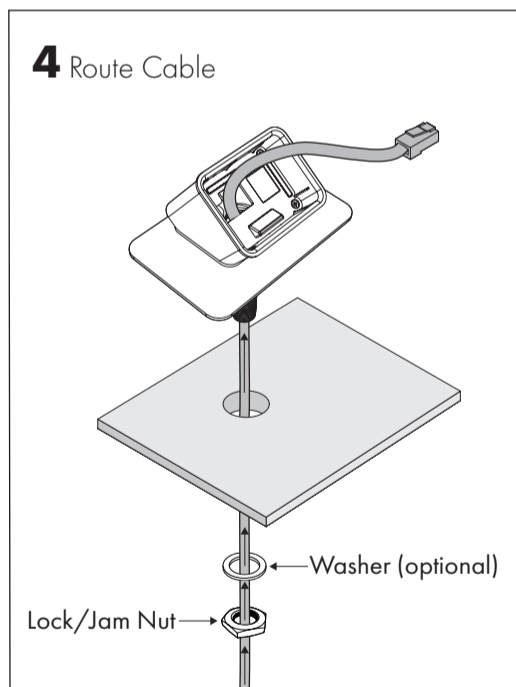
4



5

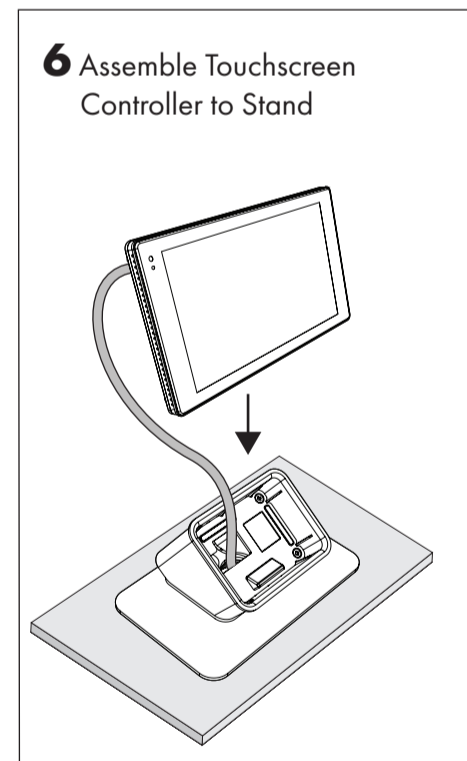


## Assembly and Installation



6

## Assembly and Installation (continued)



**QSC**™

7